

NOTICE TO BIDDERS

Faulkner County will be accepting sealed bids on one High Efficiency Condensing Boiler.

Bid specifications and Submittal forms may be obtained from the Faulkner County Judge's Office. Bids will be accepted until 9:00 am on Friday, July 26, 2019, at which time they will be opened at the Faulkner County Judge's Office, located at 801 Locust Street Conway AR, 72034. Faulkner County reserves the right to accept or reject any or all bids placed and waive formalities.

Bids should be submitted in total including taxes, for the price to be paid by Faulkner County.

Direct questions and requests for clarifications related to this RFP to Angie Wooley at 501-450-4914.

Bids may be mailed to:

Faulkner County
Attn: High Efficiency Condensing Boiler
801 Locust Street
Conway AR, 72034

BID INFORMATION AND BID SPECIFICATIONS

FOR

CONTRACTOR BIDDING PROJECT

THIS BID PACKET CONTAINS INFORMATION
CONCERNING PROJECT FOR
FAULKNER COUNTY, ARKANSAS
COUNTY JUDGE JIM BAKER

High Efficiency Condensing Boiler

July 15, 2019

Faulkner County, Arkansas

High Efficiency Condensing Boiler

Date: July 15, 2019

Reference: High Efficiency Condensing Boiler

Bid is to be addressed to:

Faulkner County
Attn: High Efficiency Condensing Boiler
801 Locust Street
Conway, Arkansas 72034

BIDS ARE DUE ON Friday, JULY 26, 2019 by 9:00 A.M.

Bids may be mailed or hand delivered to Judge Jim Baker, County Judge, Faulkner County, Arkansas. All bids must be turned in prior to the 9:00 AM deadline.

*****Faxed, Phone, or e-mail bids will not be accepted.

*****All bids must be in a sealed envelope and marked Attn: High Efficiency Condensing Boiler

High Efficiency Condensing Boiler Specifications

- Stainless Steel Vertical Fire-tube Construction
- 96+% Thermal Efficiency at Full Rate
- Modulating Controller
- 7 Inch HD Capacitive Color Touch Screen Display
- Rich-Start Ignition System (Patent Pending)
- Cascading capability– No External Sequencer Required
- Ability to tie into building management system
- Full Safety Diagnostics with History
- Status Display Lights
- Maximum Outlet Water Temperature: 200°F
- Minimum Continuous Inlet Water Temperature: 40°F
- 100% Factory Fire Tested
- Limited Twenty-Five-Year Thermal Shock Warranty
- Limited Ten-Year Heat Exchanger Warranty

Scope of Work:

Bidder must provide labor and materials required to:

- Remove and dispose of existing boiler
- Rigging and placement of new boiler
- Install new pipe and fittings to connect new boiler to existing water piping
- Install insulation on new piping as needed
- Install vent piping and fittings to connect to existing vent
- Connect to existing air intake duct
- Connect boiler to existing electrical power and controls wiring
- Start up and testing of new boiler
- Provide operational training to FCDC personnel
- Includes one year warrant on all work performed.

- **Bidders shall submit their bids on the form supplied by the Judge's Office.**

Bid

Name of Dealer _____

Name of Individual Representing Dealer _____

The above named dealer offers to sell one High Efficiency Condensing Boiler with the following specifications

- Stainless Steel Vertical Fire-tube Construction
- 96+% Thermal Efficiency at Full Rate
- Modulating Controller
- 7 Inch HD Capacitive Color Touch Screen Display
- Rich-Start Ignition System (Patent Pending)
- Cascading capability– No External Sequencer Required
- Ability to tie into building management system
- Full Safety Diagnostics with History
- Status Display Lights
- Maximum Outlet Water Temperature: 200°F
- Minimum Continuous Inlet Water Temperature: 40°F
- 100% Factory Fire Tested
- Limited Twenty-Five-Year Thermal Shock Warranty
- Limited Ten-Year Heat Exchanger Warranty

Scope of Work:

Bidder must provide labor and materials required to:

- Remove and dispose of existing boiler
- Rigging and placement of new boiler
- Install new pipe and fittings to connect new boiler to existing water piping
- Install insulation on new piping as needed
- Install vent piping and fittings to connect to existing vent
- Connect to existing air intake duct
- Connect boiler to existing electrical power and controls wiring
- Start up and testing of new boiler
- Provide operational training to FCDC personnel
- Includes one year warrant on all work performed.

to Faulkner County, at a base price of _____.

Total bid price: _____.

Signature: _____ Date: _____

Name: _____

To place an ad call **501.327.2727** or **800.678.4523**

CLASSIFIEDS

Fax **501.327.6787** or Email **classads@thecabin.net**

<p>ANNOUNCEMENTS</p>	<p>TRUCKING</p>	<p>LAWN & GARDEN EQUIPMENT</p>	<p>BOAT TOW two rider tube. Kwik-Tek Mod AHM2-2. NIB \$149. Sell \$69 Conway 501-327-5102</p>	<p>MISC. ITEMS FOR SALE</p>	<p>LOTS & ACREAGE</p>	<p>LEGALS</p>
<p>SPECIAL NOTICE FREE: INFORMATIONAL booklet on protecting the rights of nursing home residents. (501) 607-8976. www.aanhr.org</p>	<p>HOME MOST WEEK ENDS!! Health Insurance!! Small fleet w/Conv. air ride tractors!! SOUNDS GOOD???</p> <p>OTR DRIVERS, CALL TODAY!!! (800)364-6247</p>	<p>ODEN LAWN & LANDSCAPE Full service lawn mowing, hedge trimming & mulch installation. Call or text Matt for a FREE ESTIMATE! 501-208-8134 www.odenlawns.com</p>	<p>CHAIRS, TELL City Maple spindle-back. Six in good condition. \$20 each or all for \$100. Conway 501-327-5102</p>	<p>TOOL CHEST, CR 26" 5-drawer top chest. List \$145. Sell \$89. New, unused. Conway 501-327-5102</p>	<p>79 ACRES, RECREATIONAL LAND FOR SALE!! DEER, TURKEY & DUCK HUNTING. Near Conway! \$2,500/acre. nclasley@gmail.com</p>	<p>In the Circuit Court of Faulkner County, Arkansas 4 Division, in Probate IN THE MATTER OF THE ESTATE OF Jerry Sherman Tucker, DECEASED No. 23PR-19-360</p> <p>Last known address of decedent: 239 Old Springfield Rd, Quitman, AR 72131.</p> <p>Date of Death: May 30, 2019</p>
<p>GARAGE / ESTATE SALES</p>	<p>Must have at least 3 yrs. exp. with good MVR and able to pass DOT physical & drug screen. MAGS TRUCKING, INC. Cabot, AR. (501)941-2346</p>	<p>FURNITURE</p>	<p>DISHES, OTHER house ware items, all for \$30. Conway 501-908-2861.</p>	<p>REAL ESTATE FOR RENT</p>	<p>FOR SALE: 4 undeveloped acres. In rural area east of HWY 9. Lot 5. Perry, Arkansas. Blackberry Ln. Asking \$10,000 obo. Serious inquiries only. Call 501-412-9104</p>	<p>All persons having claims against the estate must exhibit them, duly verified, to the distributee or his or her attorney within three (3) months from the date of the first publication of this notice or they shall be forever barred and precluded from any benefit in the estate.</p>
<p>EMPLOYMENT</p>	<p>PETS</p>	<p>TWO QUEEN SIZED Beds One is frame only and the other has Headboard and Footboard. \$150 for one with frame and \$250 for bed with headboard and footboard. Standup Chandelier Lamp - \$50 501-269-1683</p>	<p>AUTO FLOOR Jack set - 3 ton w/creeper, jack stands. Craftsman List \$170 - sell \$115. Conway 501-327-5102</p>	<p>UNFURNISHED APARTMENTS</p>	<p>TRANSPORTATION</p>	<p>This notice first published the 16 day of July, 2019</p>
<p>MEDICAL/ DENTAL</p>	<p>FARM</p>	<p>WANTED TO RENT/BUY/</p>	<p>NICE LADIES clothes, sm - lg, all for \$40. Conway 501-908-2861.</p>	<p>DUPLEXES FOR RENT</p>	<p>CARS FOR SALE</p>	<p>Kristie Vento 3224 Clear Creek Dr. Roysce City, TX 75189</p>
<p>INCONTINENCE PULL-Ups - Med, 6 pkgs of 20 for \$20. Panty Pads 72 for \$9. Gloves, wipes \$1.50 each. Conway 501-908-2861</p>	<p>MERCHANDISE</p>	<p>WANTED TO buy or free: Working or non-working lawnmowers. 501-327-4234 or 501-514-3659</p>	<p>PET SUPPLIES Pet carrier \$8. Food, bowls, training pads, cute leashes and collars all for \$8. Conway 501-908-2861.</p>	<p>555 MITCHELL St. 1-bed., 1-full bath. Refrigerator, stove, washer & dryer included. Shady yard, quiet neighborhood. \$450/mo. 501-536-4473</p>	<p>RESTORED CLASSIC 1996 Mercedes S600, V12, black. Invested \$13K want \$10K. Call Brad at 501-796-2471.</p>	<p>LEGALS</p>
<p>PEOPLE DO READ SMALL ADS!</p>	<p>LAWN & GARDEN EQUIPMENT</p>	<p>MISC. ITEMS FOR SALE</p>	<p>PUSH MOWERS (2) one running, one not for a while. \$50 for both. Conway 501-327-5102</p>	<p>MOBILE HOMES FOR</p>	<p>FINANCIAL</p>	<p>NOTICE TO BIDDERS</p> <p>Faulkner County will be accepting sealed bids on one High Efficiency Condensing Boiler. Bid specifications and Submittal forms may be obtained from the Faulkner County Judge's Office. Bids will be accepted until 9:00 am on Friday, July 26, 2019, at which time they will be opened at the Faulkner County Judge's Office, located at 801 Locust Street Conway AR, 72034. Faulkner County reserves the right to accept or reject any or all bids placed and waive formalities.</p> <p>Bids should be submitted in total including taxes, for the price to be paid by Faulkner County. Direct questions and requests for clarifications related to this RFP to Angie Wooley at 501-450-4914.</p> <p>Bids may be mailed to: Faulkner County Attn: High Efficiency Condensing Boiler 801 Locust Street Conway AR, 72034</p>

ADMINISTRATIVE



CUSTOMER SERVICE SPECIALIST

Conway Corporation is seeking an individual to act as a key customer contact to provide product and service information, manage customer inquiries with accuracy and efficiency and work with all departments to support customer requests

GENERAL HELP



WASTEWATER PLANT OPERATOR APPRENTICE

Conway Corporation is seeking an operator apprentice to learn to perform all aspects of wastewater treatment plant operations.


To place an ad call 501.327.2727 or 800.678.4523

SERVICES

Fax 501.327.6787 or Email classads@thecabin.net

HOME IMPROVEMENT & REPAIR

A-STATE Handymen, Inc.
Remodeling, Custom Decks, Custom Cabinetry, Tile Work & Home Improvements.
Licensed & insured.
Member of the BBB & Angie's List.
Free estimates! No money up front!



STATE OF ARKANSAS
 COUNTY OF FAULKNER

90117154
 Faulkner County
 801 Locust
 Conway, AR 72034

FILED
 JUL 18 2019
 MARGARET CARTER
 FAULKNER COUNTY CLERK
 BY Cl Walker

I, Eden Corley, do hereby certify that I am the Authorized Agent of the Log Cabin Democrat, a daily newspaper published in the city of Conway, Arkansas, and having a bonafide circulation in Faulkner County, Arkansas, that said newspaper has been published at regular intervals continuously during a period of at least twelve (12) months prior to the date of publication of the annexed:

Notice to Bidders - Boiler - 07.26.19

and is in all respects eligible and qualified to publish legal notices under the provisions of Act 152 of the 1937 Acts of the General Assembly of the State of Arkansas as amended by Act 263 of the 1937 Acts of the General Assembly of the State of Arkansas.

I further certify that said legal advertisement, a copy of which is hereby attached, was published in said newspaper for 2 insertions on the following days, to wit:

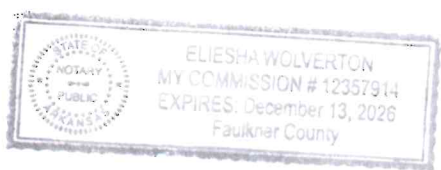
Ad Number	Date Published
90807659	07/16/19

AFFIANT: Eden Corley

Subscribed and sworn to, this 10th day of July, 2019.

Notary Public: Eliesha Wolverson

My commission expires December 13, 2020



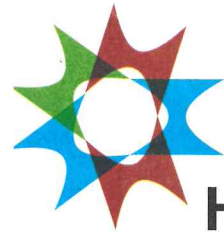
Cost for Printing: \$0.00
 Cost of Affidavit: \$0.00
 Total Cost: \$0.00

NOTICE TO BIDDERS

Faulkner County will be accepting sealed bids on one High Efficiency Condensing Boiler. Bid specifications and Submittal forms may be obtained from the Faulkner County Judge's Office. Bids will be accepted until 9:00 am on Friday, July 26, 2019, at which time they will be opened at the Faulkner County Judge's Office, located at 801 Locust Street Conway AR, 72034. Faulkner County reserves the right to accept or reject any or all bids placed and waive formalities.

Bids should be submitted in total including taxes, for the price to be paid by Faulkner County. Direct questions and requests for clarifications related to this RFP to Angie Wooley at 501-450-4914.

Bids may be mailed to:
 Faulkner County
 Attn: High Efficiency Condensing Boiler
 801 Locust Street
 Conway AR, 72034



**Harrison
Energy Partners**

1501 Westpark Drive, Suite 9
Little Rock, AR 72204

RECEIVED
JUL 25 2019
FAULKNER CO. JUDGE

1:05 pm

Faulkner County
Attn: High Efficiency Boiler
801 Locust St.
Conway AR 72034



QUOTATION

Date: 07/24/19
To: Faulkner County Detention Center
500 S German Ln
Conway, AR 72032
Job: Heating Boiler Replacement
Site: FCDC

Quotation No: CLS190724
Heating Boiler Replacement

Harrison Energy Partners is pleased to offer you this quotation to do the following services:

Equipment:

Qty	Description	Model Numbers
1	XVers High Efficiency Condensing Boiler	Model H7-2006

- Stainless Steel Vertical Fire-tube Construction
- Up to 96.2% Thermal Efficiency at Full Rate
- VERSA IC® Modulating Controller
- 7 Inch HD Capacitive Color Touch Screen Display
- Rich-Start Ignition System (Patent Pending)
- Cascade up to 4 Heaters – No External Sequencer Required
- Modbus RTU BMS Port
- Full Safety Diagnostics with History
- Status Display Lights
- Maximum Outlet Water Temperature: 200°F
- Minimum Continuous Inlet Water Temperature: 40°F
- 100% Factory Fire Tested
- SCAQMD 1146.2 Models 0856-2006
- Limited Twenty-Five-Year Thermal Shock Warranty
- Limited Ten-Year Heat Exchanger Warranty



SCOPE OF WORK:

HEP will provide labor and materials required to:

- Remove and dispose of existing boiler
- Rigging and placement of new boiler
- Install new pipe and fittings to connect new boiler to existing water piping
- Install insulation on new piping as needed
- Install vent piping and fittings to connect to existing vent
- Connect to existing air intake duct
- Connect boiler to existing electrical power and controls wiring
- Start up and testing of new boiler
- Provide operational training to FCDC personnel
- Includes one year warranty on all work performed.

Pricing (not including tax).....\$44,859.00

NOTES:

1. Applicable taxes are not included and will be added to invoices.
2. Initial Diagnostic/Troubleshooting time and material is not included in this quotation and will be invoiced separately, unless listed in the "Scope of Service" above.
3. Any service/Material not listed in the "Scope of Service" above is not included.
4. Work to be performed during normal business hours (Monday – Friday, 8:00 a.m. – 4:30 p.m.)

Thank you for this opportunity to be of service to FCDC. If you have any questions or concerns, please call me at 501-539-0443.

Thank you,
Coby Sutton
Account Manager

Proposal accepted:

Authorized by:

Title:

Purchase Order No:

Date:

Jim B. Balzer
Franklin County Judge

July 29th 2019



PARAMETERS FOR QUOTED SERVICES

ACCEPTANCE AND PRICES

This proposal is subject to acceptance within thirty days from date, and the prices are subject to change without notice prior to acceptance by Client. Acceptance of orders for Harrison Energy Partners ("HEP") shall be made solely by an officer of HEP. The goods and services covered in this proposal as issued are to be furnished under stated Parameters for Quoted Services when the proposal is accepted by a purchase order from the Client. This proposal does not constitute an offer to enter into a contract or subcontract with contrary terms of pricing, performance, taxes, liability, warranty, or shipping dates. If the proposal is accepted by Client, the Parameters for Quoted Services set forth herein shall be a part of the agreement.

PERFORMANCE

HEP shall be obligated to furnish only the goods and services described in the proposal scope hereto and as described in drawings or submittal specifically prepared for the referenced project (the "Work"). The duty to perform under any order on the part of HEP and the price thereof is subject to the approval of its Credit Manager, and is also contingent upon strikes, accidents, fires, the inability to procure materials from the usual sources of supply, the requirements of the United States Government, or upon any like or unlike cause beyond the control of HEP.

TAXES

To the prices quoted add any manufacturer's gross receipts, sales or use tax, either Federal, State or Local, payable on the transaction under any applicable statute.

WARRANTY AND LIABILITY

HEP warrants for a period of one year from date of the commencement of the Work that the Work is free from defects in material and workmanship. No warranty is made against corrosion or deterioration. No liability whatsoever shall attach to the HEP until said products have been paid for and then said liability shall be limited to the purchase price of the items shown to be defective. THE WARRANTY AND LIABILITY SET FORTH IN THE PRIOR PARAGRAPH ARE IN LIEU OF ALL OTHER WARRANTIES AND LIABILITIES, WHETHER IN CONTRACT OR IN NEGLIGENCE, EXPRESS OR IMPLIED, IN LAW OR IN FACT, INCLUDING IMPLIED WARRANTIES OF MERCHANTABILITY AND FITNESS FOR PARTICULAR USE. IN NO EVENT SHALL HEP BE LIABLE FOR ANY INCIDENTAL, CONSEQUENTIAL, OR PUNITIVE DAMAGES.

SHIPMENT DATES AND PERFORMANCE DATES

Dates are estimates only. No contract will be made to ship or to complete work in a specified time. Shipment shall be f.o.b. factory or warehouse at named shipping point with title passing to the Client upon delivery to the carrier by HEP.

RETURNS

Goods must not be returned except by permission of the HEP, and when so returned will be subject to discount.

CANCELLATION

If, following acceptance of this proposal by the Client, all or any portion of the agreement is cancelled by the Client without default on the part of the HEP or without the HEP's written consent, the Client shall be liable to the HEP for cancellation charges including but not limited to, the HEP's incurred costs and such profit as would have been realized by the HEP from the transaction had the agreement not been breached by the Client.

EXCLUSIONS

The price quoted has been determined based on routine circumstances and occurrences within the scope of our ability to predict conditions. We therefore exclude from the term "Work" any work not specifically called out in this proposal resulting from the negligence of other parties, fire, flood, accident, hurricane, tornado, earthquake, theft, sabotage, or other calamity or malicious act. During performance of the Work or during the warranty period, work to restore or repair the equipment or property of others that is damaged by improper operating procedures, improper utility service, improper water treatment, corrosion, erosion, or by other circumstances outside those we could control by exercising normal care and diligence is not included in the term "Work" and will be done only if extra charges are approved and authorized. Also, excluded from the term "Work" is work not specifically called out, which is necessary to permit access so that the Work may be performed. HEP excludes from the term "Work" any and all removal or disposal of hazardous materials or hazardous wastes from the site of the Work.

PAYMENT

Payment terms for goods shipped hereunder will be Net 30 days, unless expressly agreed to in writing by the HEP. The HEP reserves the right to add to any account outstanding for more than 30 days a late fee to cover administrative expenses equal to 10% of the outstanding balance and a finance charge based on the maximum allowable legal interest rate. If payment of said account is not made on or before the due date(s), and the account is placed in the hands of an attorney for collection, or suit is brought on the same, or same is collected through Probate or Bankruptcy proceedings, Client shall be liable for all such collection expenses, including attorney's fees.

VENUE, JURISDICTION, WAIVER OF JURY

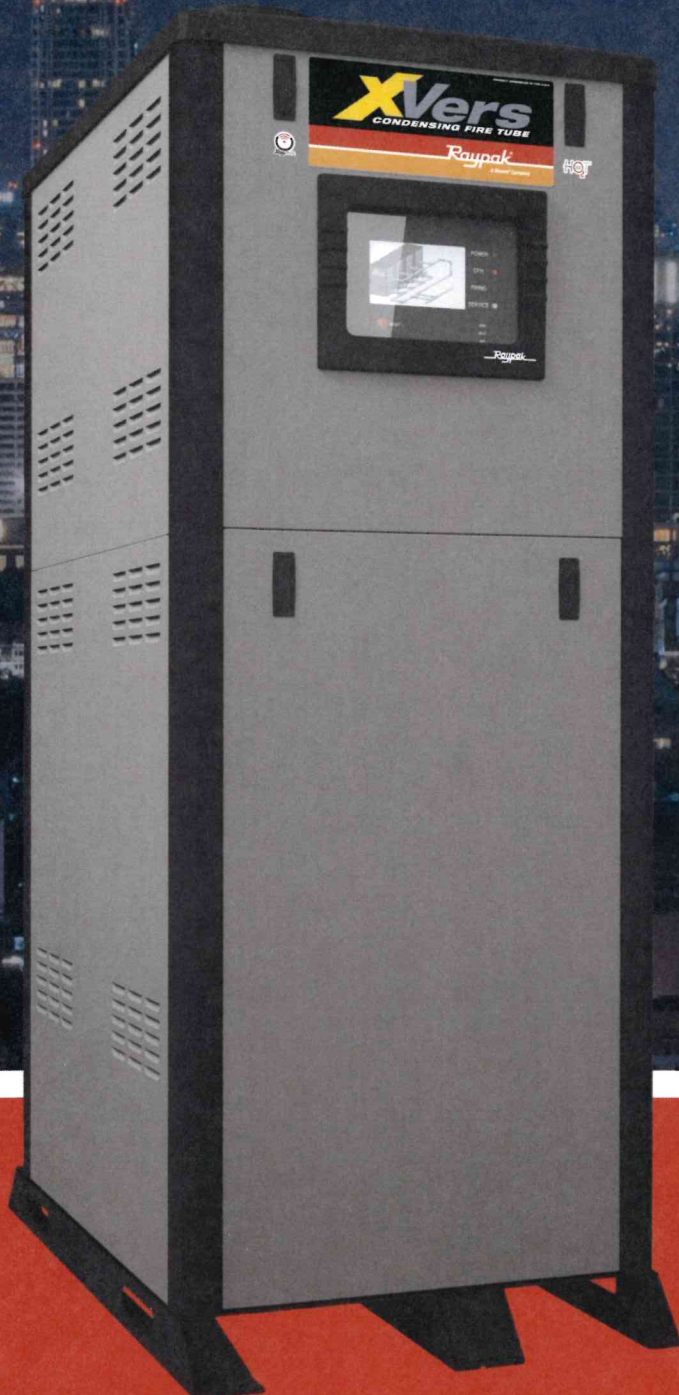
CLIENT AND THE HEP AGREE THAT WITH RESPECT TO ANY DISPUTE ARISING FROM THIS PROPOSAL OR ANY SUBSEQUENT AGREEMENT, OR WITH RESPECT TO THE WORK OR ANY PORTION THEREOF, JURISDICTION AND VENUE SHALL LIE EXCLUSIVELY IN PULASKI COUNTY, ARKANSAS. THE CLIENT AND HEP HEREBY WAIVE THEIR RIGHTS, IF ANY, TO HAVE ANY SUCH DISPUTE OR PORTION THEREOF TRIED TO A JURY.

IMPORTANT NOTICE TO OWNER

I UNDERSTAND THAT EACH PERSON SUPPLYING MATERIAL OR FIXTURES IS ENTITLED TO A LIEN AGAINST PROPERTY IF NOT PAID IN FULL FOR MATERIALS USED TO IMPROVE THE PROPERTY EVEN THOUGH THE FULL CONTRACT PRICE MAY HAVE BEEN PAID TO THE CONTRACTOR. I REALIZE THAT THIS LIEN CAN BE ENFORCED BY THE SALE OF THE PROPERTY IF NECESSARY. I AM ALSO AWARE THAT PAYMENT MAY BE WITHHELD TO THE CONTRACTOR IN THE AMOUNT OF THE COST OF ANY MATERIALS OR LABOR NOT PAID FOR. I KNOW THAT IT IS ADVISABLE TO, AND I MAY, REQUIRE THE CONTRACTOR TO FURNISH TO ME A TRUE AND CORRECT FULL LIST OF ALL SUPPLIERS UNDER THE CONTRACT, AND I MAY CHECK WITH THEM TO DETERMINE IF ALL MATERIALS FURNISHED FOR THE PROPERTY HAVE BEEN PAID FOR. I MAY ALSO REQUIRE THE CONTRACTOR TO PRESENT LIEN WAIVERS BY ALL SUPPLIERS, STATING THAT THEY HAVE BEEN PAID IN FULL FOR SUPPLIES PROVIDED UNDER THE CONTRACT, BEFORE I PAY THE CONTRACTOR IN FULL. IF A SUPPLIER HAS NOT BEEN PAID, I MAY PAY THE SUPPLIER AND CONTRACTOR WITH A CHECK MADE PAYABLE TO THEM JOINTLY.

XVERSTM

CONDENSING FIRE-TUBE



VERSA IC[®] WITH
RAYMOTETM

MAXIMUM
EFFICIENCY

INSTALLATION
VERSATILITY

Raypak[®]
A Rheem[®] Company

ENGINEERED TO PERF

The latest in boiler design packed with cutting edge advancement.

XVers is designed to be "Extremely Versatile." Equipped with the VERSA IC integrated control system, XVers are capable of operating as a single boiler or cascade of boilers for a multitude of system types, including: primary loop hydronic, variable-flow primary loop hydronic, primary-secondary hydronic and variable-flow primary-secondary hydronic.



ORM. BUILT TO LAST.

VERSA IC intelligence with Raymote connectivity.

Raypak's VERSA IC combines modulating temperature control, safety limits, and ignition programming into one user-friendly integrated control platform. With self-learning features that prevent equipment damage, this automated controller is easy to set-up, understand, and use, making it as close to plug and play as possible.

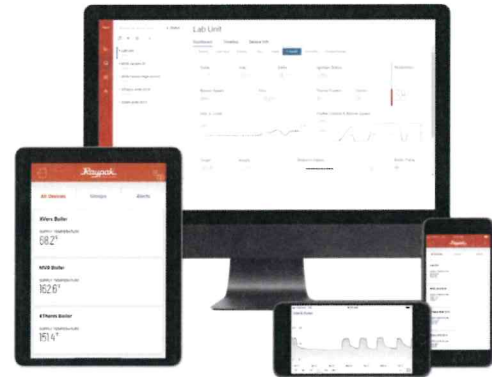
The VERSA IC system can be remotely monitored through the Raymote mobile app or web dashboard. With touch-of-a-button access to vital information, Raymote gives you:

- Real time service notifications to keep you informed.
- View and manage your Raypak systems at multiple sites.
- Instant visibility to historical data and performance reports.

1 year of Raymote service included.

Raymote retrofit kits available for installed products with the VERSA IC touchscreen.

Raymote™



O₂ Trim System*

HO₂T continuously monitors the oxygen level of the flue gas in the vent piping. If the O₂ level deviates from the target set point (operating curve), HO₂T will modulate the fuel gas flow via the actuator and valve and bring the O₂ back to the target set point. Built-in, automatic system protection that extends the life of your equipment by maintaining the optimum fuel to air ratio.

*Optional package.



Indoor or Outdoor

Safety certified for indoor/outdoor installation. Every XVers is direct vent capable and comes standard with an outdoor intake air cover.

Weatherproof Jacket

Heavy gauge galvanized steel with a UV-resistant powder coat finish is impervious to weather and corrosion.



Easy To Connect

Adaptable controls that support multiple piping, venting and operational configurations.

Small Footprint

For new buildings or retrofit into existing systems with ease.

Learn more at raypak.com

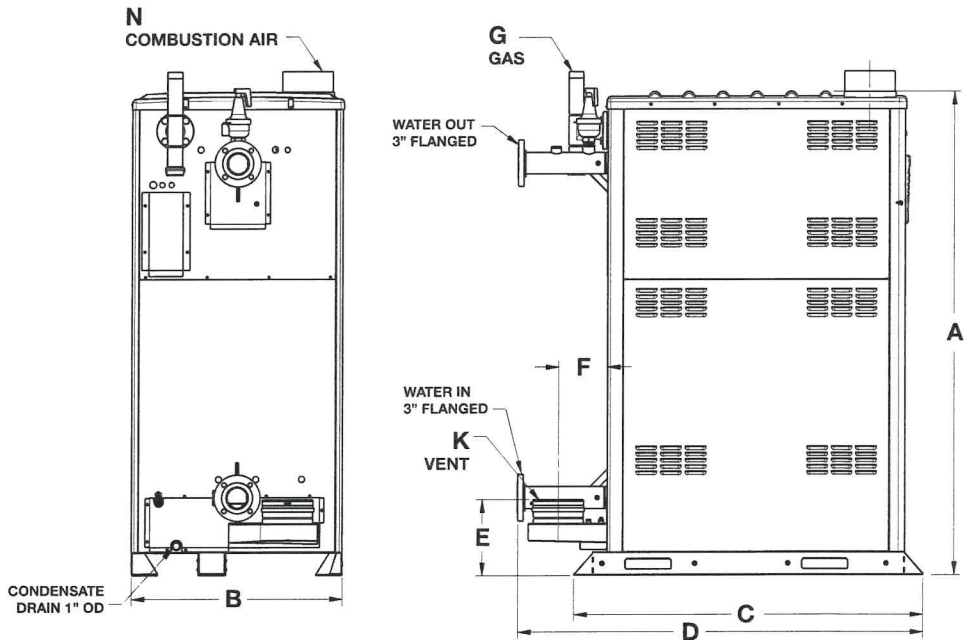


XVers - Type H Models 0856 - 3006

Model (H7-)	MBTUH (kw/h)		Turndown	AHRI Thermal Efficiency	Dimensions In. (mm)								Ship Weight Lbs. (kg)	
	Input	Output			A Height	B Width	C Base Depth	D Overall Depth*	E	F	G	K Flue ø		N Comb. Air ø
0856	855 (250.6)	822.5 (241.1)	8 to 1	96.2%	78 (1981)	30 (762)	51.3 (1303)	60.2 (1529)	12-1/8 (308)	12-1/2 (318)	1-1/4	6	6	1596 (724)
1006	999 (292.8)	961 (281.6)	9 to 1	96.2%	78 (1981)	30 (762)	51.3 (1303)	60.2 (1529)			1-1/4	6	6	1596 (724)
1256	1250 (366.3)	1202.5 (352.4)	13 to 1	96.2%	78 (1981)	30 (762)	54.4 (1382)	63.4 (1610)			1-1/4	8	6	1960 (889)
1506	1500 (439.6)	1443 (422.9)	15 to 1	96.2%	78 (1981)	30 (762)	54.4 (1382)	63.4 (1610)			1-1/4	8	6	1960 (889)
1756	1750 (512.9)	1683.5 (493.4)	8 to 1	96.2%	78 (1981)	34 (864)	56.5 (1435)	65.7 (1669)			2	8	8	2080 (943)
2006	1999 (585.8)	1923 (563.6)	9 to 1	96.2%	78 (1981)	34 (864)	56.5 (1435)	65.7 (1669)			2	8	8	2080 (943)
2506	2499 (732.4)	2404 (704.5)	9 to 1	96.2%	78 (1981)	34 (864)	60 (1524)	70.4 (1788)	13-1/8 (333)	13-1/2 (343)	2-1/2	10	8	2900 (1315)
3006	3000 (879.2)	2865 (839.4)	10 to 1	95.5%	78 (1981)	34 (864)	60 (1524)	70.4 (1788)			2-1/2	10	8	2900 (1315)

	Clearances in. (mm)	
	Combustible Minimum	Service Minimum
Front	Open	30 (762)
Rear (indoor)	24 (610)	24 (610)
Rear (outdoor)	12 (305)	24 (610)
Right	1 (25)	1 (25)
Left	1 (25)	1 (25)
Top (indoor)	0	24 (610)
Top (outdoor)	Unobstructed	Unobstructed
Floor	0	0
Vent (indoor)	1 (25)	1 (25)
Vent Termination (outdoor)	Open	Open

Model	Power Supply	Amp Draw**
0856	120V/1PH	Less Than 12A
1006		
1256		
1506		
1756	208V1PH	Less Than 18A
2006		
2506		
3006		



Standard Power Shown.
 ** Current draw is for boiler only
 Optional: 208V 3-PH, 230V 1-PH, 277V 3-PH or 480/600V/3PH
 Consult factory for current draw information.

www.raypak.com

2151 Eastman Avenue | Oxnard, CA 93030 | 805-278-5300

Litho in U.S.A. ©2017 Raypak, Inc. 1000.24E Effective 05-01-19 Replaces 08-15-18

P.O. BOX 180
PARSON, AR 72122

~~★~~ BID ~~★~~

FAULKNER COUNTY
ATTN: HIGH EFFICIENCY CONDENSING UNIT BLEN
901 LOCUST STREET
CONWAY, AR 72034

RECEIVED
JUL 26 2019

8:15 A.M.
JHO

RECEIVED
JUL 25 2019

WJW

Bid

Name of Dealer Moseley HVAC, LLC

Name of Individual Representing Dealer Blake Moseley

The above named dealer offers to sell one High Efficiency Condensing Boiler with the following specifications

- Stainless Steel Vertical Fire-tube Construction
- 96+% Thermal Efficiency at Full Rate
- Modulating Controller
- 7 Inch HD Capacitive Color Touch Screen Display
- Rich-Start Ignition System (Patent Pending)
- Cascading capability- No External Sequencer Required
- Ability to tie into building management system
- Full Safety Diagnostics with History
- Status Display Lights
- Maximum Outlet Water Temperature: 200°F
- Minimum Continuous Inlet Water Temperature: 40°F
- 100% Factory Fire Tested
- Limited Twenty-Five-Year Thermal Shock Warranty
- Limited Ten-Year Heat Exchanger Warranty

Scope of Work:

Bidder must provide labor and materials required to:

- Remove and dispose of existing boiler
- Rigging and placement of new boiler
- Install new pipe and fittings to connect new boiler to existing water piping
- Install insulation on new piping as needed
- Install vent piping and fittings to connect to existing vent
- Connect to existing air intake duct
- Connect boiler to existing electrical power and controls wiring
- Start up and testing of new boiler
- Provide operational training to FCDC personnel
- Includes one year warrant on all work performed.

to Faulkner County, at a base price of \$54,999.00.

Total bid price: \$59,502.11.

Signature: Blake Moseley Date: 7/26/2019

Name: Blake Moseley



Faulkner County
Attn: High Efficiency Condensing Boiler
801 Locust St.
Conway, AR 72034

[Handwritten signature]

RECEIVED
JUL 23 2019

[Handwritten initials]
9:31 A.M.

Bid

Name of Dealer Woodbury Beach Company

Name of Individual Representing Dealer Lucas Howard

The above named dealer offers to sell one High Efficiency Condensing Boiler with the following specifications

- Stainless Steel Vertical Fire-tube Construction
- 96+% Thermal Efficiency at Full Rate
- Modulating Controller
- 7 Inch HD Capacitive Color Touch Screen Display
- Rich-Start Ignition System (Patent Pending)
- Cascading capability– No External Sequencer Required
- Ability to tie into building management system
- Full Safety Diagnostics with History
- Status Display Lights
- Maximum Outlet Water Temperature: 200°F
- Minimum Continuous Inlet Water Temperature: 40°F
- 100% Factory Fire Tested
- Limited Twenty-Five-Year Thermal Shock Warranty
- Limited Ten-Year Heat Exchanger Warranty

Scope of Work:

Bidder must provide labor and materials required to:

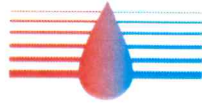
- Remove and dispose of existing boiler
- Rigging and placement of new boiler
- Install new pipe and fittings to connect new boiler to existing water piping
- Install insulation on new piping as needed
- Install vent piping and fittings to connect to existing vent
- Connect to existing air intake duct
- Connect boiler to existing electrical power and controls wiring
- Start up and testing of new boiler
- Provide operational training to FCDC personnel
- Includes one year warrant on all work performed.

to Faulkner County, at a base price of 56,905.⁰⁰.

Total bid price: 62,097.58 with tax.

Signature: Lucas Howard Date: 7/23/2019

Name: Lucas Howard



WOODBURY-BEACH
COMPANY

Proposal

7/22/2019

PROPOSAL NO: 199794H

6329 Crystal Hill Road - North Little Rock, AR 72118

(501) 753-8323, Phone
(501) 753-8350, Fax

Judge Jim Baker
Faulkner County
801 Locust Street
Conway, AR 72034

Re: High Efficiency Condensing Boiler

Thank you for the opportunity to offer the following Patterson Kelley Sonic condensing boiler. The boiler selection is based on the supplied High Efficiency Condensing Boiler bid parameters for the Faulkner County facility in Conway, AR.

Patterson Kelly PK Sonic Condensing Boiler:

P-K Sonic SC2000, item number SC03200020, boiler with a maximum natural gas input of 2,000,000 BTUH. The burner features a variable speed blower, capable of 5:1 turndown. The heat exchanger is upper is 304L stainless steel, the lower is 316L stainless steel.

P-K Sonic SC2000 to also include:

- Sensor for outdoor reset
- Aux Low Water Cutoff (shipped loose)
- Condensate neutralization kit
- Relief valve set to 150 PSI
- NURO control system, with touch screen display and capable of BMS interface
- Modulating burner control
- Startup by a factory trained technician
- Owner Instruction and Training

Full Freight Allowed from Factory to Conway, AR. Does not include drayage or storage.

One (1) P-K SC2000 (SC03200020) Boiler, F.F.A.:	\$26,855.00
Taxes (9.125%):	<u>\$ 2,450.52</u>
Equipment Total:	\$29,305.52

Demolition, Removal, and Installation Labor

Scope of work to include:

- Demo of existing boiler and associated piping
- Rigging and installation of new boiler and associated piping
- Insulation of new piping
- Rework of boiler flue piping and combustion air to accommodate new boiler
- Remove electrical from old boiler and rework to accommodate new boiler

Demolition, Removal, and Installation Labor: **\$30,050.00**
Taxes (9.125%): **\$ 2,742.06**

Labor Total: **\$32,792.06**

Bid Total: **\$62,097.58**

Proposal Notes:

1. Prices do not include any applicable sales or use taxes.
2. Price is firm for 30 days and subject to change without notice.
3. TERMS: Net 30 days after invoice date.
4. Factory lead time to ship is 14 to 21 business days after approval of submittal and release to production.
5. Warranty begins after startup and submission of startup report.
6. Unless specified herein, the price does not include valves, strainers, and controls external of the boiler.
7. For a description of equipment offered, please refer to the attached Patterson Kelley documentation.

We will be happy to meet with you at your convenience to discuss this proposal. Please feel free to give us a call.

Proposal Submitted By: *Lucas Howard, Jim Knox, & Jon Williams*

P-K SONIC[®]

Breaking Barriers in Design
and Reliability



Patterson-Kelley

**WOODBURY-BEACH
COMPANY**

6329 Crystal Hill Rd.
North Little Rock, AR 72118
Phone 501/753-8323 • Fax 501/753-8350

Satisfies Comfort Heat and Domestic Hot Water Applications

The P-K SONIC® stainless steel condensing boiler surpasses all expectations in efficiency, size and material design. This unique design allows the P-K SONIC® to operate up to certified 97% efficiency with up to 7:1 turndown and ultra-low emissions.



Big output in a small footprint

Whether it's the basement or the penthouse, the P-K SONIC® condensing boiler can be placed in any room of your building. All P-K SONIC® boilers fit through a standard 36-inch doorway or standard elevator and the larger models (SC1500 - SC4000) come equipped with wheels. The SONIC®'s narrow design allows it to navigate corners and hallways with ease.

FEATURES

- ✓ Unique stainless alloys resist corrosive condensation
- ✓ Compact design fits through a standard 36" doorway
- ✓ Full modulation burner with up to 7:1 turndown, thus improving cycle efficiency
- ✓ Available in a domestic hot water option (650 to 1,000 MBTU only)
- ✓ NURO® Touch-Screen Control System allows for easy control anytime, anywhere
- ✓ Front accessibility reduces repair and maintenance costs
- ✓ Low electrical energy consumption increases savings
- ✓ Utilizes the patented DUET™ technology to maintain high efficiency (1,500 to 4,000 MBTU Only)

Worry free maintenance

The P-K SONIC®'s clean, compact design allows internal components to be accessed with ease, saving time and money associated with repair and maintenance. Front maintenance accessibility encourages annual servicing to increase boiler life and performance.

ADVANTAGES

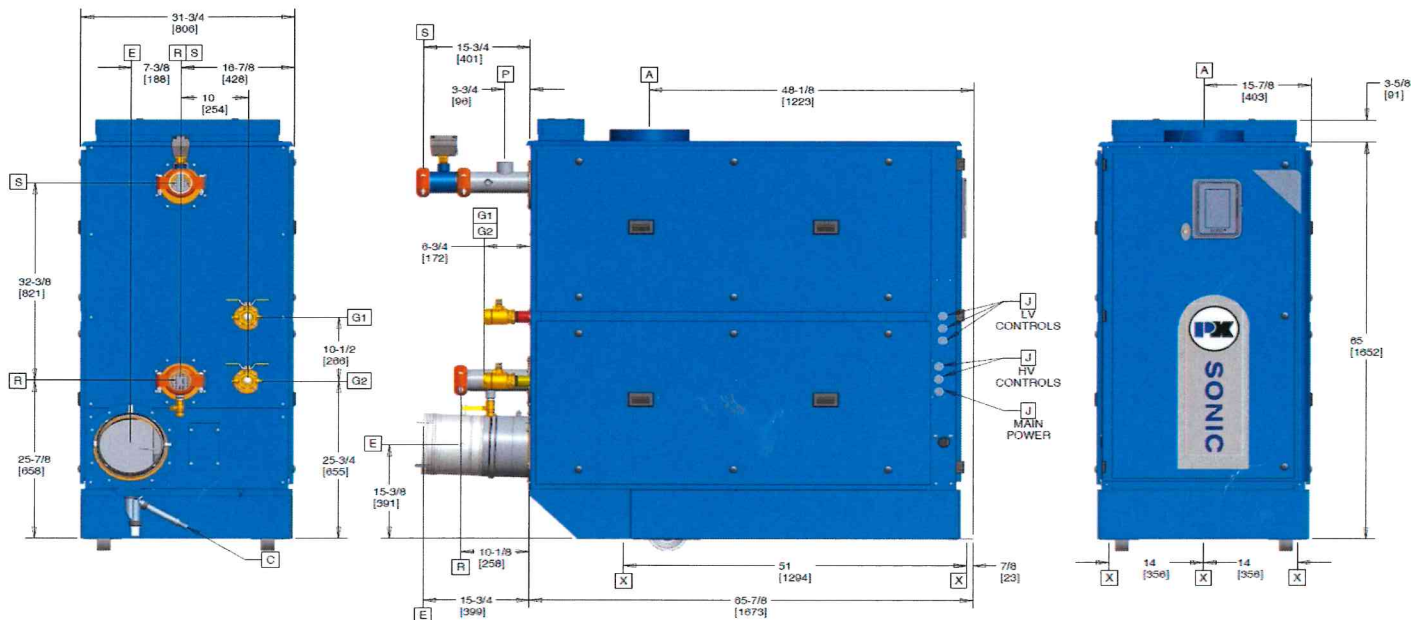
- ✓ Smarter stainless steel design for a longer life and greater reliability
- ✓ Integrates seamlessly with your existing hydronic system
- ✓ Perfect for new installation and retrofit projects
- ✓ 60% smaller than the leading competition
- ✓ Front accessibility reduces repair and maintenance costs
- ✓ Barely audible, even at high fire

Rep Name: _____

Email: _____

Phone Number: _____

Date: _____ / _____ / _____



Primary dimensions are in inches. The secondary dimensions, [in brackets], are in millimeters.

This SONIC boiler requires Category IV venting (condensing-positive pressure) or Category II venting† (condensing -negative pressure as defined in ANSI Z223.1/NFPA 54/CSA-B.149 latest edition.

†Category II venting must include the optional combustion air damper

BOILER CONNECTIONS	
A	Combustion Air Inlet 12" dia. stub
C	Condensate Drain 3/4" hose
E	Exhaust Vent 10"
G1	Propane Gas 1-1/2" NPT-F
G2	Natural Gas 1-1/2" NPT-F
J	Wiring Junction Boxes inside cabinet
P	Pressure Relief Valve see list for options
R	Boiler Return, Victaulic® clamp 3" pipe, grooved
S	Boiler Supply, Victaulic clamp 3" pipe, grooved
X	Anchor Bolt Locations (6) 9/16" Bolt Holes

MODEL SELECTION	
Boilers	<input type="checkbox"/> SC-1500 <input type="checkbox"/> SC-2000 <input type="checkbox"/> DUAL FUEL <input type="checkbox"/> DUAL FUEL
Fuel Options	<input type="checkbox"/> NG <input type="checkbox"/> LP <input type="checkbox"/> NG <input type="checkbox"/> LP
Min Inlet Gas Pressure	3.5"w.c. for NG and 7.0" w.c. for LP 4"w.c. for NG and 7.0" w.c. for LP
Max Inlet Gas Pressure	14" w.c.
Max Input (BTU/hr)	1,500,000 2,000,000
Max Output (BTU/hr)	1,456,000 1,928,000
Boiler HP	43.5 57.4
Min Input (BTU/hr)	291,000 384,000
Turndown Ratio	5:1 5:1
Estimated Operating/ Shipping Weight †	1450* lbs.
Boiler Water Content	23.9 Gallons
Shipping Dimensions	36"x84"x80" (LxWxH)
Power Supply	208/240V 1ph 60 Hz
Operating Current	< 15 Amps
Recommended Minimum Circuit Capacity	15 Amps

*Add 100 lbs. to the listed values when considering a dual fuel models

BOILER CONTROLS	
ASME CSD-1 is standard	
Complies with: GE GAP (IRI) guidelines GAP.4.1.0 and GAP.4.1.3	
FM Global 6-4 Section 1.0	
Main Gas Train with Dual Shut-off	
Integrated Boiler Control, NURO Series	
Operating Thermostat, 42°-195°F (5.6°-91°C)	
High Limit Thermostat, Manual Reset, 100°-197°F (38°-92°C)	
High Exhaust Back Pressure Switch	
LWCO/Flow Switch, Paddle Type & LWCO, Probe Type	
Combustion Air Proving Switch, Differential Pressure Type	
Combustion Blower, Variable Speed, 890 Watt	

PRESSURE RELIEF VALVE/PRESSURE-TEMPERATURE GAUGE	
Shipped Loose for Field Installation	
<input type="checkbox"/> 30 PSIG 1-1/4"x 1-1/4"	0-100 psi/30-240°F
<input type="checkbox"/> 50 PSIG 1"x 1-1/4"	0-100 psi/30-240°F
<input type="checkbox"/> 60 PSIG 1"x 1"	0-100 psi/30-240°F
<input type="checkbox"/> 75 PSIG 1"x 1"	0-240 psi/30-240°F
<input type="checkbox"/> 80 PSIG 3/4"x 1"	0-240 psi/30-240°F
<input type="checkbox"/> 100 PSIG 3/4"x 3/4"	0-240 psi/30-240°F
<input type="checkbox"/> 125 PSIG 3/4"x 3/4"	0-240 psi/30-240°F
<input type="checkbox"/> 150 PSIG 3/4"x 3/4"	0-240 psi/30-240°F

A.S.M.E. SECTION IV DESIGN DATA	SC-1500	SC-2000
Max Pressure	160 PSIG	
Max Allowable Temperature	210°F	
Max Operating Temperature	200°F	
Heated Surface Area	95.2 ft ²	
Flow Rate @ 20°FΔT	145 GPM	192 GPM
Min Flow Rate @ All Firing Rates (Flow Switch Setting)	46 GPM	62 GPM

RECOMMENDED CLEARANCE FOR SERVICE ACCESS				
Front - 30"	Rear - 12"	Top - 24"	Left Side - 12"	Right Side - 12"

Notes:

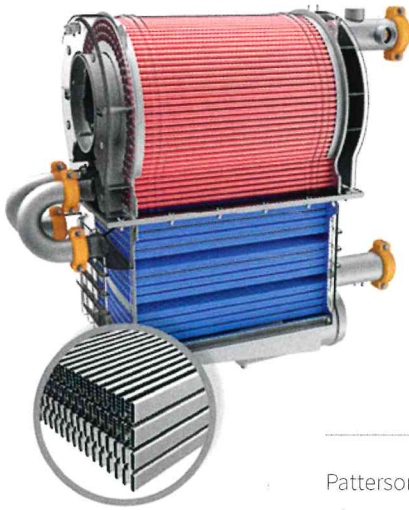
- Victaulic is a registered trademark of Victaulic Company, Easton PA, USA
- Harsco Industrial Patterson-Kelley reserves the right to make changes at any time without notification
- Dual fuel models are not designed to run both fuels simultaneously



Efficiency and harmony in design

Models SC1500 - SC4000

Equipped with DUET™ technology, the P-K SONIC® is the first practical stainless steel design for condensing applications in the industry. The innovative zones were engineered separately using different composite stainless materials that, when used together, deliver better heat transfer and higher reliability throughout the condensing process.



Radiant Zone

Radiant zone is designed with durable, long lasting **304L stainless steel** for resounding performance in demanding **high stress environments**.



Convective Zone

Convective zone is designed with super resistant **316L stainless steel tubes** and 316L stainless steel ribbon channels for increased surface volume in **corrosive environments**.

Patterson-Kelley's advanced manufacturing technology allows production of a complex network of channels individually and precisely fabricated for unmatched heat transfer and efficiency.

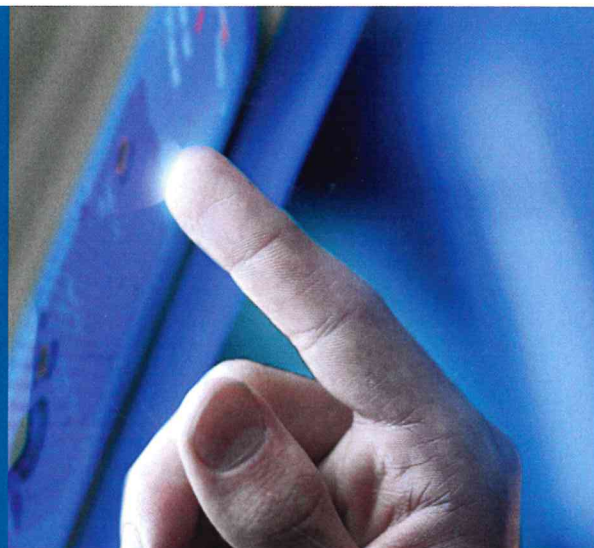
Models SC650 - SC1000 / SCD650 - SCD1000

The Mid-Size SONIC® exceeds expectations in a petite but powerful package. Whether set up as a standalone boiler in a commercial space or as a hot water supply boiler to meet a domestic hot water demand, the 97% AHRI Certified Efficient Mid-Size SONIC® saves precious floor space in mechanical rooms while providing a maximum return on your investment.



NURO® Touch-screen control system

The NURO® Touch-Screen Control System with NURO® Connect provides the most intuitive interface in the industry. Designed to maximize efficiency, the NURO® monitors and modulates the combustion and ignition of the boiler to maintain the desired outlet temperature. The lead/lag setup and boiler start rotation ensures run times are equally distributed across each unit in the system, extending the life of the boilers. Whether using a desktop or mobile device, NURO® Connect allows for quick, easy modification of system parameters of optimal efficiency.



BOILER RATINGS	SC-650 SCD-650	SC-750 SCD-750	SC-850 SCD-850	SC-1000 SCD-1000	SC-1500	SC-2000	SC-3000	SC-4000
EFFICIENCY	94.1%	94.1%	94.1%	92.3%	97.1%	96.4%	96.9%	96.0%
MAX BTU/HR INPUT	650,000	750,000	850,000	1,000,000	1,500,000	2,000,000	3,000,000	4,000,000
MAX KW INPUT	190.5	219.8	249.1	293.1	439.6	586.1	879.2	1172.3
MAX BTU/HR OUTPUT	611,650	705,750	799,850	923,000	1,456,500	1,928,000	2,907,000	3,840,000
MAX KW OUTPUT	179.3	206.8	234.4	270.5	426.9	565.0	852.0	1125.4
MIN FLOW @ IGNITION (GPM)	25	25	30	30	48	48	72	96
MIN FLOW @ IGNITION (L/SEC)	1.6	1.6	1.9	1.9	3.0	3.0	4.6	6.1
MIN BTU/HR INPUT	125,000	125,000	141,000	143,000	300,000	400,000	600,000	800,000
MIN KW INPUT	36.6	36.6	41.3	41.9	87.9	117.2	175.8	234.5
MIN BTU/HR OUTPUT	122,300	117,600	131,850	133,300	288,000	384,000	576,000	768,000
MIN KW OUTPUT	35.8	34.5	38.6	39.1	84.4	112.5	168.8	225.1
INDOOR/OUTDOOR	INDOOR	INDOOR	INDOOR	INDOOR	INDOOR	INDOOR	INDOOR	INDOOR
TURNDOWN	5:1	6:1	7:1	5:1	5:1	5:1	5:1	5:1
FUEL- NG = NATURAL GAS, LP = PROPANE, DF = DUAL FUEL	NG, LP, DF	NG, LP, DF	NG, LP, DF	NG, LP, DF	NG, LP, DF	NG, LP, DF	NG, LP, DF	NG, LP, DF
Dimensions	SC-650 SCD-650	SC-750 SCD-750	SC-850 SCD-850	SC-1000 SCD-1000	SC-1500	SC-2000	SC-3000	SC-4000
DEPTH (IN / MM)	54 / 1372	54 / 1372	54 / 1372	54 / 1372	65 / 1651	65 / 1651	66 / 1674	66 / 1674
WIDTH (IN / MM)	25 / 641	25 / 641	25 / 641	25 / 641	31 / 787	31 / 787	32 / 808	32 / 808
HEIGHT (IN / MM)	51 / 1295	51 / 1295	51 / 1295	51 / 1295	69 / 1743	69 / 1743	69 / 1743	69 / 1743
Operating Parameters	SC-650 SCD-650	SC-750 SCD-750	SC-850 SCD-850	SC-1000 SCD-1000	SC-1500	SC-2000	SC-3000	SC-4000
BOILER HP	18	21	24	28	43	57	86	115
MAX INLET GAS PRESSURE NG/LP (INCHES / WC)	14 / 14	14 / 14	14 / 14	14 / 14	14 / 14	14 / 14	14 / 14	14 / 14
MIN INLET GAS PRESSURE NG/LP (INCHES / WC)	3.5 / 7	3.5 / 7	3.5 / 7	3.5 / 7	4.0 / 7	4.0 / 7	4.0 / 7	4.0 / 7
SHIPPING WEIGHT (LBS / KILOS)	780 / 354	780 / 354	800 / 363	810 / 367	1400 / 635	1400 / 635	1900 / 862	1900 / 862
ELECTRICAL REQUIREMENTS	120V 1ph 60hz 10 amps	120V 1ph 60hz 10 amps	120V 1ph 60hz 10 amps	120V 1ph 60hz 10 amps	208/240V 1ph 60hz 15 amps	208/240V 1ph 60hz 15 amps	208/240V 3ph 440/480V 3ph 60hz 20 amps	208/240V 3ph 440/480V 3ph 60hz 20 amps
OPERATING WEIGHT (LBS / KILOS)	780 / 354	780 / 354	800 / 363	810 / 367	1650 / 748	1650 / 748	2141 / 971	2191 / 994
FLOW RATE 20°F ΔT GPM (L/SEC)	61 / 3.9	71 / 4.5	80 / 5.0	92 / 5.9	146 / 9.2	193 / 12.2	291 / 18.4	384 / 24.3
Acceptable Vent Materials	SC-650 SCD-650	SC-750 SCD-750	SC-850 SCD-850	SC-1000 SCD-1000	SC-1500	SC-2000	SC-3000	SC-4000
AL29-4C	✓	✓	✓	✓	✓	✓	✓	✓
316L SS	✓	✓	✓	✓	✓	✓	✓	✓
PVC	-	-	-	-	-	-	-	-
CPVC	✓	✓	✓	✓	✓	✓	✓	✓
POLYPROPYLENE ^{NEW}	*/**	*/**	*/**	*/**	✓	✓	✓	✓
CAT II	✓	✓	✓	✓	✓	✓	✓	✓
CAT IV	✓	✓	✓	✓	✓	✓	✓	✓

*Canada: When this material is used for venting, it must be listed ULC-S6236

**USA: When this material is used for venting, it must be listed UL-1738

THE PATTERSON-KELLEY EXPERIENCE

Patterson-Kelley, a division of the Harsco Industrial Groups (HSC), is the leading provider and producer of commercial hot water heating solutions. With over 135 years of experience and an innovative R&D pipeline, we provide a full line of condensing and non-condensing boilers, semi-instantaneous water heaters, and an array of commercial boiler and water heating products including gas fired, dual fuel and outdoor boilers.

Because we are continuously evolving our products, descriptions and technical data are subject to change without notice.

Contact your local Harsco Industrial Patterson-Kelley representative for the most up-to-date information and product application support.

Harsco Industrial Patterson-Kelley

155 Burson Street
East Stroudsburg, PA 18301
www.harscopk.com

Phone: 570.476.7261
Toll Free: 877.728.5351
Fax: 570.476.7247

FAULKNER COUNTY
JIM B. BAKER
COUNTY JUDGE
801 LOCUST STREET • CONWAY, AR 72034

FILED
TIME: 1:26

JUL 29 2019

MARGARET DARTER
FAULKNER COUNTY CLERK
BY Miller DC

IN THE COUNTY COURT OF FAULKNER COUNTY, ARKANSAS

COURT ORDER 19-116

**IN THE MATTER OF
ACCEPTING A BID FOR
THE PURCHASE OF A
HIGH EFFICIENCY CONDENSING BOILER**

Having opened and reviewed the submitted bids for the proposed High Efficiency Condensing Boiler for the Faulkner County Sheriff's Office, at 9:00 a.m. on July 26, 2019, the Faulkner County Court, by and through the County Judge, finds and orders as follows:

That Harrison Energy Partners shall be awarded the contract for the purchase of a High Efficiency Condensing Boiler, with the bid price of \$44,859.00 (not including tax), pursuant to its bid, as a result of submitting the lowest responsible bid and meeting all other qualifications.

IT IS SO ORDERED



Jim B. Baker
Faulkner County Judge
July 29, 2019



**Harrison
Energy Partners**

1001 W. Koger Drive, Suite 100
Fayetteville, Arkansas 72703

Phone: 501-561-0621
Toll Free: 800-505-0621
Fax: 501-561-2109

QUOTATION

Date: 07/24/19
To: Faulkner County Detention Center
500 S German Ln
Conway, AR 72032
Job: Heating Boiler Replacement
Site: FCDC

Quotation No: CLS190724
Heating Boiler Replacement

Harrison Energy Partners is pleased to offer you this quotation to do the following services:

Equipment:

Qty	Description	Model Numbers
1	XVers High Efficiency Condensing Boiler	Model H7-2006

- Stainless Steel Vertical Fire-tube Construction
- Up to 96.2% Thermal Efficiency at Full Rate
- VERSA IC® Modulating Controller
- 7 Inch HD Capacitive Color Touch Screen Display
- Rich-Start Ignition System (Patent Pending)
- Cascade up to 4 Heaters – No External Sequencer Required
- Modbus RTU BMS Port
- Full Safety Diagnostics with History
- Status Display Lights
- Maximum Outlet Water Temperature: 200°F
- Minimum Continuous Inlet Water Temperature: 40°F
- 100% Factory Fire Tested
- SCAQMD 1146.2 Models 0856-2006
- Limited Twenty-Five-Year Thermal Shock Warranty
- Limited Ten-Year Heat Exchanger Warranty



**Harrison
Energy Partners**

SCOPE OF WORK:

HEP will provide labor and materials required to:

- Remove and dispose of existing boiler
- Rigging and placement of new boiler
- Install new pipe and fittings to connect new boiler to existing water piping
- Install insulation on new piping as needed
- Install vent piping and fittings to connect to existing vent
- Connect to existing air intake duct
- Connect boiler to existing electrical power and controls wiring
- Start up and testing of new boiler
- Provide operational training to FCDC personnel
- Includes one year warranty on all work performed.

Pricing (not including tax).....\$44,859.00

NOTES:

1. Applicable taxes are not included and will be added to invoices.
2. Initial Diagnostic/Troubleshooting time and material is not included in this quotation and will be invoiced separately, unless listed in the "Scope of Service" above.
3. Any service/Material not listed in the "Scope of Service" above is not included.
4. Work to be performed during normal business hours (Monday – Friday, 8:00 a.m. – 4:30 p.m.)

Thank you for this opportunity to be of service to FCDC. If you have any questions or concerns, please call me at 501-539-0443.

Thank you,
Coby Sutton
Account Manager

Proposal accepted:

Authorized by:

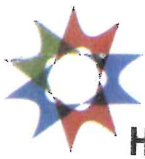
Title:

Purchase Order No:

Date:

Jim B. Balguy
Franklin County Judge

 July 29th 2019



**Harrison
Energy Partners**

1001 Washington Blvd, Suite 400
Little Rock, Arkansas 72202

Phone: 501-661-0477
Toll Free: 800-895-0721
Fax: 501-661-9149

PARAMETERS FOR QUOTED SERVICES

ACCEPTANCE AND PRICES

This proposal is subject to acceptance within thirty days from date, and the prices are subject to change without notice prior to acceptance by Client. Acceptance of orders for Harrison Energy Partners ("HEP") shall be made solely by an officer of HEP. The goods and services covered in this proposal as issued are to be furnished under stated Parameters for Quoted Services when the proposal is accepted by a purchase order from the Client. This proposal does not constitute an offer to enter into a contract or subcontract with contrary terms of pricing, performance, taxes, liability, warranty, or shipping dates. If the proposal is accepted by Client, the Parameters for Quoted Services set forth herein shall be a part of the agreement.

PERFORMANCE

HEP shall be obligated to furnish only the goods and services described in the proposal scope hereto and as described in drawings or submittal specifically prepared for the referenced project (the "Work"). The duty to perform under any order on the part of HEP and the price thereof is subject to the approval of its Credit Manager, and is also contingent upon strikes, accidents, fires, the inability to procure materials from the usual sources of supply, the requirements of the United States Government, or upon any like or unlike cause beyond the control of HEP.

TAXES

To the prices quoted add any manufacturer's gross receipts, sales or use tax, either Federal, State or Local, payable on the transaction under any applicable statute.

WARRANTY AND LIABILITY

HEP warrants for a period of one year from date of the commencement of the Work that the Work is free from defects in material and workmanship. No warranty is made against corrosion or deterioration. No liability whatsoever shall attach to the HEP until said products have been paid for and then said liability shall be limited to the purchase price of the items shown to be defective. THE WARRANTY AND LIABILITY SET FORTH IN THE PRIOR PARAGRAPH ARE IN LIEU OF ALL OTHER WARRANTIES AND LIABILITIES, WHETHER IN CONTRACT OR IN NEGLIGENCE, EXPRESS OR IMPLIED, IN LAW OR IN FACT, INCLUDING IMPLIED WARRANTIES OF MERCHANTABILITY AND FITNESS FOR PARTICULAR USE. IN NO EVENT SHALL HEP BE LIABLE FOR ANY INCIDENTAL, CONSEQUENTIAL, OR PUNITIVE DAMAGES.

SHIPMENT DATES AND PERFORMANCE DATES

Dates are estimates only. No contract will be made to ship or to complete work in a specified time. Shipment shall be f.o.b. factory or warehouse at named shipping point with title passing to the Client upon delivery to the carrier by HEP.

RETURNS

Goods must not be returned except by permission of the HEP, and when so returned will be subject to discount.

CANCELLATION

If, following acceptance of this proposal by the Client, all or any portion of the agreement is cancelled by the Client without default on the part of the HEP or without the HEP's written consent, the Client shall be liable to the HEP for cancellation charges including but not limited to, the HEP's incurred costs and such profit as would have been realized by the HEP from the transaction had the agreement not been breached by the Client.

EXCLUSIONS

The price quoted has been determined based on routine circumstances and occurrences within the scope of our ability to predict conditions. We therefore exclude from the term "Work" any work not specifically called out in this proposal resulting from the negligence of other parties, fire, flood, accident, hurricane, tornado, earthquake, theft, sabotage, or other calamity or malicious act. During performance of the Work or during the warranty period, work to restore or repair the equipment or property of others that is damaged by improper operating procedures, improper utility service, improper water treatment, corrosion, erosion, or by other circumstances outside those we could control by exercising normal care and diligence is not included in the term "Work" and will be done only if extra charges are approved and authorized. Also, excluded from the term "Work" is work not specifically called out, which is necessary to permit access so that the Work may be performed. HEP excludes from the term "Work" any and all removal or disposal of hazardous materials or hazardous wastes from the site of the Work.

PAYMENT

Payment terms for goods shipped hereunder will be Net 30 days, unless expressly agreed to in writing by the HEP. The HEP reserves the right to add to any account outstanding for more than 30 days a late fee to cover administrative expenses equal to 10% of the outstanding balance and a finance charge based on the maximum allowable legal interest rate. If payment of said account is not made on or before the due date(s), and the account is placed in the hands of an attorney for collection, or suit is brought on the same, or same is collected through Probate or Bankruptcy proceedings, Client shall be liable for all such collection expenses, including attorney's fees.

VENUE, JURISDICTION, WAIVER OF JURY

CLIENT AND THE HEP AGREE THAT WITH RESPECT TO ANY DISPUTE ARISING FROM THIS PROPOSAL OR ANY SUBSEQUENT AGREEMENT, OR WITH RESPECT TO THE WORK OR ANY PORTION THEREOF, JURISDICTION AND VENUE SHALL LIE EXCLUSIVELY IN PULASKI COUNTY, ARKANSAS. THE CLIENT AND HEP HEREBY WAIVE THEIR RIGHTS, IF ANY, TO HAVE ANY SUCH DISPUTE OR PORTION THEREOF TRIED TO A JURY.

IMPORTANT NOTICE TO OWNER

I UNDERSTAND THAT EACH PERSON SUPPLYING MATERIAL OR FIXTURES IS ENTITLED TO A LIEN AGAINST PROPERTY IF NOT PAID IN FULL FOR MATERIALS USED TO IMPROVE THE PROPERTY EVEN THOUGH THE FULL CONTRACT PRICE MAY HAVE BEEN PAID TO THE CONTRACTOR. I REALIZE THAT THIS LIEN CAN BE ENFORCED BY THE SALE OF THE PROPERTY IF NECESSARY. I AM ALSO AWARE THAT PAYMENT MAY BE WITHHELD TO THE CONTRACTOR IN THE AMOUNT OF THE COST OF ANY MATERIALS OR LABOR NOT PAID FOR. I KNOW THAT IT IS ADVISABLE TO, AND I MAY, REQUIRE THE CONTRACTOR TO FURNISH TO ME A TRUE AND CORRECT FULL LIST OF ALL SUPPLIERS UNDER THE CONTRACT, AND I MAY CHECK WITH THEM TO DETERMINE IF ALL MATERIALS FURNISHED FOR THE PROPERTY HAVE BEEN PAID FOR. I MAY ALSO REQUIRE THE CONTRACTOR TO PRESENT LIEN WAIVERS BY ALL SUPPLIERS, STATING THAT THEY HAVE BEEN PAID IN FULL FOR SUPPLIES PROVIDED UNDER THE CONTRACT, BEFORE I PAY THE CONTRACTOR IN FULL. IF A SUPPLIER HAS NOT BEEN PAID, I MAY PAY THE SUPPLIER AND CONTRACTOR WITH A CHECK MADE PAYABLE TO THEM JOINTLY.

STATE OF ARKANSAS
 COUNTY OF FAULKNER

FILED

JUL 18 2019

90117154
 Faulkner County
 801 Locust
 Conway, AR 72034

MARGARET CARTER
 FAULKNER COUNTY CLERK
 BY C. Walters DC

I, Eden Corley, do hereby certify that I am the Authorized Agent of the Log Cabin Democrat, a daily newspaper published in the city of Conway, Arkansas, and having a bonafide circulation in Faulkner County, Arkansas, that said newspaper has been published at regular intervals continuously during a period of at least twelve (12) months prior to the date of publication of the annexed:

Notice to Bidders - Boiler - 07.26.19

and is in all respects eligible and qualified to publish legal notices under the provisions of Act 152 of the 1937 Acts of the General Assembly of the State of Arkansas as amended by Act 263 of the 1937 Acts of the General Assembly of the State of Arkansas.

I further certify that said legal advertisement, a copy of which is hereby attached, was published in said newspaper for 2 insertions on the following days, to wit:

Ad Number	Date Published
90807659	07/16/19

AFFIANT: Eden Corley

Subscribed and sworn to, this 16th day of July, 2019.

Notary Public: Eliesha Wolverson

My commission expires December 13, 2020



Cost for Printing: \$0.00
 Cost of Affidavit: \$0.00
 Total Cost: \$0.00

NOTICE TO BIDDERS

Faulkner County will be accepting sealed bids on one High Efficiency Condensing Boiler. Bid specifications and Submittal forms may be obtained from the Faulkner County Judge's Office. Bids will be accepted until 9:00 am on Friday, July 26, 2019, at which time they will be opened at the Faulkner County Judge's Office, located at 801 Locust Street Conway AR, 72034. Faulkner County reserves the right to accept or reject any or all bids placed and waive formalities.

Bids should be submitted in total including taxes, for the price to be paid by Faulkner County. Direct questions and requests for clarifications related to this RFP to Angie Wooley at 501-450-4914.

Bids may be mailed to:
 Faulkner County
 Attn: High Efficiency Condensing Boiler
 801 Locust Street
 Conway AR, 72034